

# DC-A类轴流风扇

## 40×40×20MM-5 SERIES

轴承结构：滚珠和含油结构

Bearing system: Ball or Sleeve

外框材质：环保防火PBT UL 94V-0

Frame: Thermoplastic PBT UL 94V-0

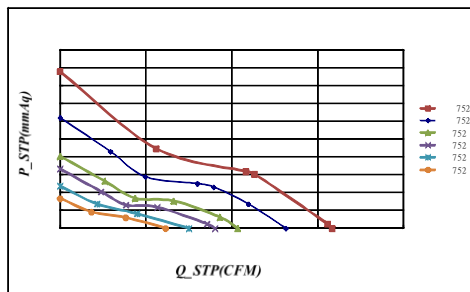
扇叶材质：环保防火PBT UL 94V-0

Impeller: Thermoplastic PBT UL 94V-0

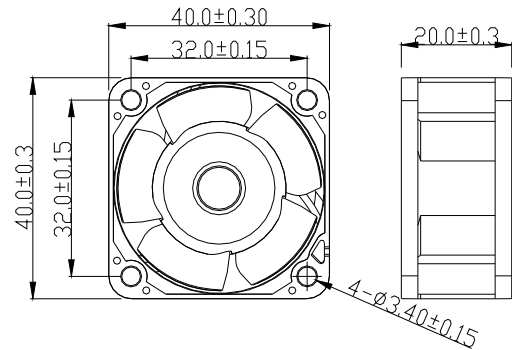
风扇单重：24.5g (Weight: 24.5g)



P&Q曲线(在额定电压下) P&Q CURVE (AT RATED VOLTAGE)



尺寸图 DIMENSIONS DRAWING



马达可选功能列表 (Available Functions)

1. 马达保护 (Motor protection)

|    |    |    |    |     |
|----|----|----|----|-----|
| RP | SS | LP | CL | OVP |
| ●  | ●  | ●  | ●  | ○   |

2. 信号输出 (Signal out put)

|    |    |     |    |
|----|----|-----|----|
| FG | RD | RDB | LD |
| ●  | ●  | ●   | ●  |

3. 调速方式 (Speed control mode)

|     |    |    |    |    |
|-----|----|----|----|----|
| PWM | TC | VC | CC | CS |
| ●   | ○  | ○  | ○  | ●  |

| MODEL        | Rated Voltage | Operating Voltage Range | Rated Current | Rated Input Power | Speed | Maximum Air Flow    | Maximum Air Pressure | Noise       |      |
|--------------|---------------|-------------------------|---------------|-------------------|-------|---------------------|----------------------|-------------|------|
| 型号           | 额定电压          | 工作电压范围                  | 额定电流          | 额定输入功率            | 转速    | 最大风量                | 最大风压                 | 噪音          |      |
| PART NO.     | VDC           | VDC                     | Amp           | Watt              | R.P.M | m <sup>3</sup> /min | CFM                  | mmH2O INH2O | DB-A |
| YY4020L05    | 5             | 3.6to6.8                | 0.08          | 0.40              | 5000  | 0.17                | 6.13                 | 3.35 0.13   | 28.7 |
| YY4020L12    | 12            | 7.0to13.5               | 0.03          | 0.36              |       |                     |                      |             |      |
| YY4020M05    | 5             | 3.6to6.8                | 0.10          | 0.50              | 6000  | 0.21                | 7.49                 | 4.15 0.16   | 32.0 |
| YY4020M12    | 12            | 7.0to13.5               | 0.04          | 0.48              |       |                     |                      |             |      |
| YY4020M24    | 24            | 18to26.5                | 0.02          | 0.48              |       |                     |                      |             |      |
| YY4020H05    | 5             | 3.6to6.8                | 0.12          | 0.60              | 7000  | 0.26                | 9.01                 | 6.65 0.26   | 34.5 |
| YY4020H12    | 12            | 7.0to13.5               | 0.05          | 0.60              |       |                     |                      |             |      |
| YY4020H24    | 24            | 18to26.5                | 0.03          | 0.72              |       |                     |                      |             |      |
| YY4020H12-HH | 12            | 7.0to13.5               | 0.07          | 0.84              | 8000  | 0.29                | 10.33                | 8.09 0.32   | 37.0 |
| YY4020H24-HH | 24            | 18to26.5                | 0.04          | 0.96              |       |                     |                      |             |      |
| YY4020H12-VH | 12            | 7.0to13.5               | 0.09          | 1.08              | 10000 | 0.37                | 13.13                | 12.39 0.49  | 41.0 |
| YY4020H24-VH | 24            | 18to26.5                | 0.05          | 1.20              |       |                     |                      |             |      |
| YY4020H12-SH | 12            | 7.0to13.5               | 0.16          | 1.92              | 12000 | 0.45                | 15.81                | 17.57 0.69  | 46.0 |
| YY4020H24-SH | 24            | 18to26.5                | 0.08          | 1.92              |       |                     |                      |             |      |

■ 如果您需要的转速或电压或功能不在这清单上，请与我们联系。

■ 提示1：功能的具体信息参照产品目录前页篇章。  
Notes 1: The catalog have detail information in the front page for the functions.

■ 提示2：产品详细信息请参照承认书。  
Notes 2: Product have a detail in the approval sheet.

■ 提示3：产品规格变更不另行通知。  
Notes 3: Specifications are subject to change without notice.