

DC 离心机风扇

YY250-2 SERIES



轴承结构：双滚珠

Bearing system: Two Ball

外框材质：铝合金

Frame: Aluminum

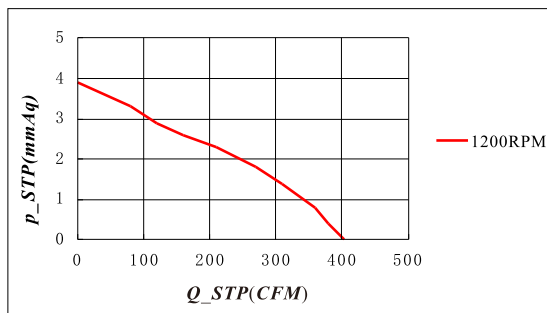
扇叶材质：塑胶 (UL 94V-0)

Impeller: Plastic (UL 94V-0)

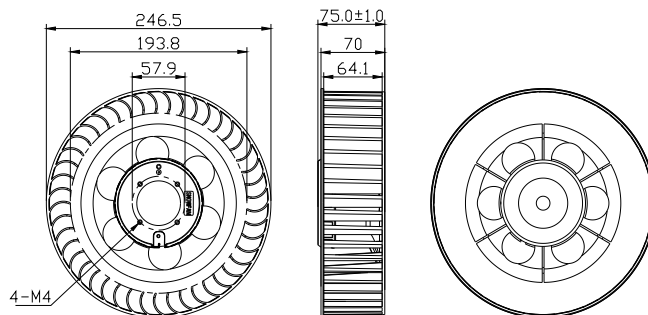
风扇单重：1500g (Weight: 1500g)



P&Q曲线(在额定电压下) P&Q CURVE (AT RATED VOLTAGE)



尺寸图 DIMENSIONS DRAWING



马达可选功能列表(Available Functions)

1. 马达保护 (Motor protection)

| | | | | |
|----|----|----|----|-----|
| RP | SS | LP | CL | OVP |
| ● | ● | ● | ● | ○ |

2. 信号输出 (Signal out put)

| | | | |
|----|----|-----|----|
| FG | RD | RDB | LD |
| ● | ● | ● | ● |

3. 调速方式(Speed control mode)

| | | | | |
|-----|----|----|----|----|
| PWM | TC | VC | CC | CS |
| ● | ● | ● | ● | ● |

| MODEL | Rated Voltage | Operating Voltage Range | Rated Current | Rated Input Power | Speed | Maximum Air Flow | Maximum Air Pressure | Noise |
|------------|---------------|-------------------------|---------------|-------------------|-------|------------------|----------------------|-------|
| 型号 | 额定电压 | 工作电压范围 | 额定电流 | 额定输入功率 | 转速 | 最大风量 | 最大风压 | 噪音 |
| PART NO. | VDC | VDC | A | W | R.P.M | CMH CFM | mmH2O INH2O | DB-A |
| YY250H310B | 310 | 200to375 | 0.258 | 80 | 1200 | 687.4 404.2 | 3.9 0.15 | 59.0 |

■ 如果您需要的转速或电压或功能不在这清单上，请与我们联系。 If you want another rpm or voltage or functions which one in the list, please contact with our sales.

■ 提示1：功能的具体信息参照产品目录前页篇章。

Notes 1: The catalog have detail information in the front page for the functions.

■ 提示2：产品详细信息请参照承认书。

Notes 2: Product have a detail in the approval sheet.

■ 提示3：产品规格变更不另行通知。

Notes 3: Specifications are subject to change without notice.