

DC-B类轴流风扇

60×60×10MM SERIES

L轴承结构：滚珠和含油结构

Bearing system: Ball or Sleeve

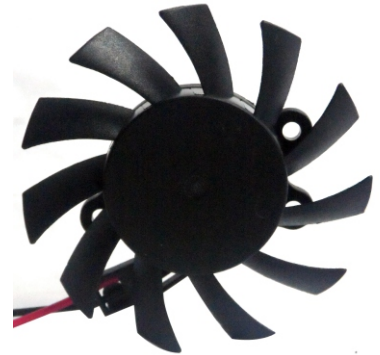
外框材质：环保防火PBT UL 94V-0

Frame: Thermoplastic PBT UL 94V-0

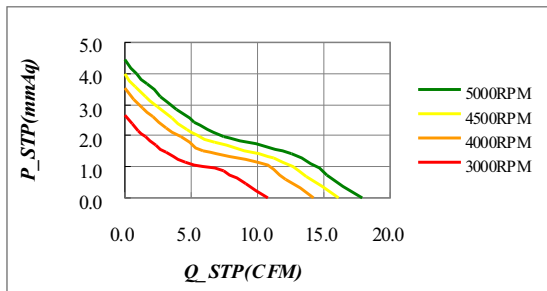
扇叶材质：环保防火PBT UL 94V-0

Impeller: Thermoplastic PBT UL 94V-0

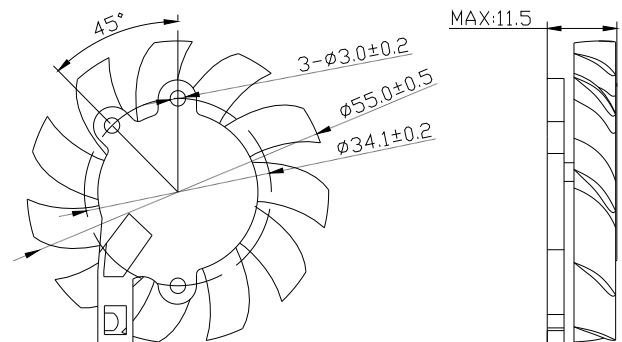
风扇单重：20.4g (Weight: 20.4g)



P&Q曲线 (在额定电压下) P&Q CURVE (AT RATED VOLTAGE)



尺寸图 DIMENSIONS DRAWING



马达可选功能列表 (Available Functions)

1. 马达保护 (Motor protection)

| RP | SS | LP | CL | OVP |
|----|----|----|----|-----|
| ● | ● | ● | ○ | ○ |

2. 信号输出 (Signal out put)

| FG | RD | RDB | LD |
|----|----|-----|----|
| ● | ● | ○ | ○ |

3. 调速方式 (Speed control mode)

| PWM | TC | VC | CC | CS |
|-----|----|----|----|----|
| ● | ○ | ○ | ○ | ○ |

| MODEL | Rated Voltage | Operating Voltage Range | Rated Current | Rated Input Power | Speed | Maximum Air Flow | Maximum Air Pressure | Noise | | |
|--------------|---------------|-------------------------|---------------|-------------------|-------|---------------------|----------------------|-------|-------|------|
| 型号 | 额定电压 | 工作电压范围 | 额定电流 | 额定输入功率 | 转速 | 最大风量 | 最大风压 | 噪音 | | |
| PART NO. | VDC | VDC | Amp | Watt | R.P.M | m ³ /min | CFM | mmH2O | INH2O | DB-A |
| YY6010L05 | 5 | 3.6to6.8 | 0.15 | 0.75 | 3000 | 0.31 | 10.74 | 2.64 | 0.1 | 21.6 |
| YY6010L12 | 12 | 7.0to13.5 | 0.06 | 0.72 | | | | | | |
| YY6010L24 | 24 | 18to26.5 | 0.03 | 0.72 | | | | | | |
| YY6010M05 | 5 | 3.6to6.8 | 0.39 | 1.95 | 4000 | 0.41 | 14.32 | 3.52 | 0.14 | 28.8 |
| YY6010M12 | 12 | 7.0to13.5 | 0.15 | 1.80 | | | | | | |
| YY6010M24 | 24 | 18to26.5 | 0.07 | 1.78 | | | | | | |
| YY6010H12 | 12 | 7.0to13.5 | 0.25 | 3.0 | 4500 | 0.46 | 16.11 | 3.97 | 0.16 | 30.8 |
| YY6010H24 | 24 | 18to26.5 | 0.12 | 2.88 | | | | | | |
| YY6010H12-HH | 12 | 7.0to13.5 | 0.37 | 4.44 | | | | | | |
| YY6010H24-HH | 24 | 18to26.5 | 0.18 | 4.22 | 5000 | 0.51 | 17.89 | 4.41 | 0.17 | 33.1 |

如果您需要的转速或电压或功能不在这清单上，请与我们联系。 If you want another rpm or voltage or functions which one in the list, please contact with our sales.

提示1：功能的具体信息参照产品目录前页篇章。

Notes 1: The catalog have detail information in the front page for the functions.

提示2：产品详细信息请参照承认书。

Notes 2: Product have a detail in the approval sheet.

提示3：产品规格变更不另行通知。

Notes 3: Specifications are subject to change without notice.